

# HIGH PRECISION & PRODUCTION CENTERLESS GRINDING MACHINES

ESTARTA-175  
ESTARTA-250



## DESCRIPTION

The machines in this family are designed for both infeed and throughfeed grinding.

They have cantilever grinding wheelheads to ensure fast component changeovers. They also have double support regulating wheelheads to ensure optimal stiffness.

These two models are therefore the perfect solution for high-precision work on small to medium-sized workpieces

and operations involving the manufacture of short production runs, in which fast component changeovers are critical.

ESTARTA grinding machines can work at high speeds (23620 SFPM) for applications with CBN wheels, thus optimizing cycle times.

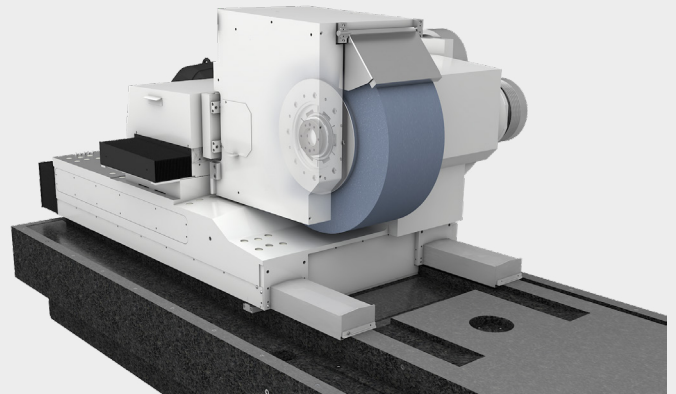
## ESTARTA-175/ESTARTA-250. SHORT PRODUCTION RUNS // SMALL TO MEDIUM-SIZED WORKPIECES

### ESTARTA RANGE

		ESTARTA-175	ESTARTA-250
Maximum workpiece diameter	mm	40	150
	in	1,57	5.90
Grinding wheel diameter (OD x width x ID)	mm	Ø508 x175 x Ø304,8	Ø650 x 250 x Ø304
	in	Ø20 x 6.88 x Ø12	Ø26 x 9.84 x Ø12
Max. grinding wheel peripheral speed	m/s	120	120
	sfpm	23620	23620
Regulating wheel dimensions (OD x Width x ID)	mm	Ø305 x 175 x Ø127	Ø400 x 250 x Ø203,2
	in	Ø12 x 6.88 x Ø5	Ø16 x 9.84 x Ø8
Main motor	kw	11 - 22	22 - 37
	hp	14.75 - 29.5	29.5 - 49.6
Net weight	kg	8000	12000
	lb	17630	26450

### CORE TECHNOLOGY

- Natural granite bed.
- Linear motors on both dressers.
- High-stiffness direct drive on main slides.
- Grinding wheel cantilever spindle support.
- Regulating wheel twin-grip spindle support.
- Rapid component changeover.
  - » Automatic taper adjustment.
  - » Automatic workrest blade locking.
  - » Automatic workrest blade height regulation.



### FULLY CUSTOMISABLE MACHINES



Machines prepared from its design to bring innovative and personalized answers to different loading systems such as loading and unloading conveyors, integrated portal loader, external portal loader, etc., High value technological solutions are added for the automatization level required by each customer.



### ECO-FRIENDLY

- Hydraulic components have been eliminated and all other machine components have been minimized: there are now 23% fewer than in the equivalent model in the previous range. This minimizes maintenance and optimizes reliability.
- The machine is manufactured using natural materials, with less energy consumption.
- The solution includes standby software functions and has no chiller.